

Top View

1200

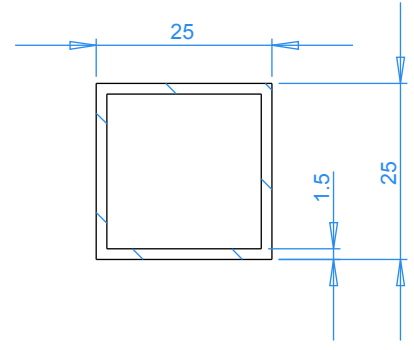
1800

Front View

3.0 mm. dia, 50 mm. c-c mesh



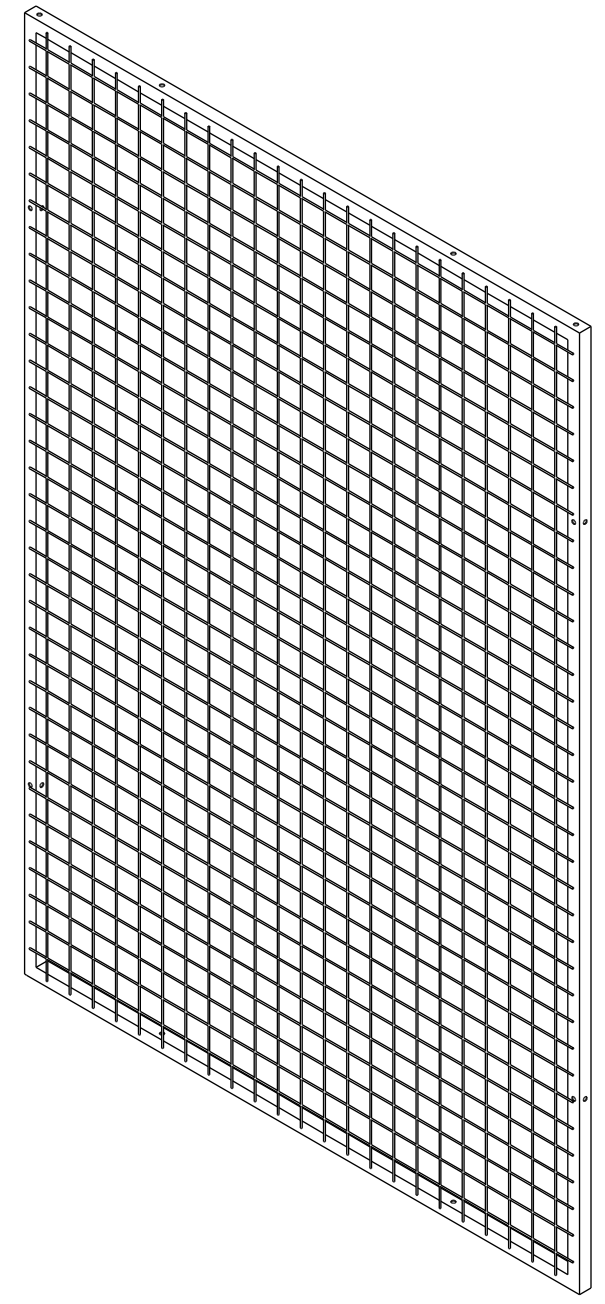
Bottom View



Section D-D



Right side view



ISO (Top Front Left View)

Unless Otherwise Specified: Dimensions in mm. Drawing may not be exactly on scale		Finish		Debur and Break Sharp Edges		Do Not Scale Drawing	
						ØstCom AS	
						Dogfence	
						Fence section	
Drawn	Name	Date	Comments		Size	Drawing No.	Rev
Checked			CAD Generated Drawing Do Not Manually Update		A3	0001	A
ENG Appr.					Scale	CAD File	Sheet
MFR Appr.			Material		1:10		2 of 2
QA							